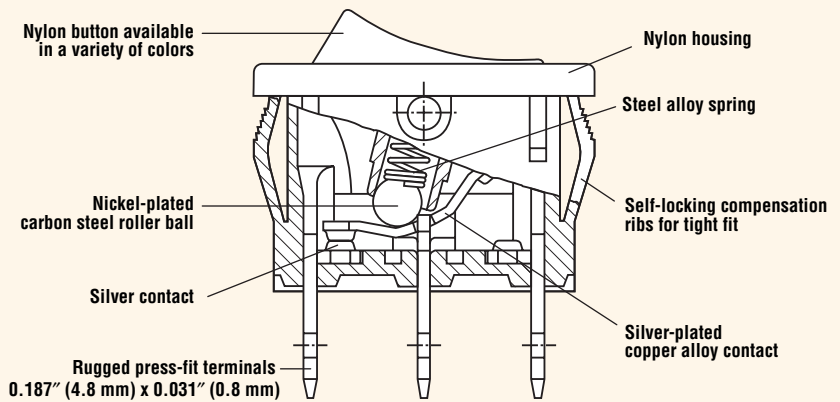


## DOUBLE-POLE ROCKER SWITCH

# FR Series

### Features

- 12 amp switching in a compact design
- Single-throw and double-throw options
- Choice of actuator and housing color
- Mechanical life: min. 50,000 operations



### Electrical Ratings

Switch Series	EN61058 Rating	UL1054 Rating	Electrical Life at Rated Load	
			According to VDE (Min. Operations)	According to UL (Min. Operations)
FR	16(4)A, 250V~, T125/55	12A, 125/250VAC	10,000	6,000

### Specifications

#### Electrical

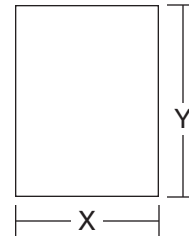
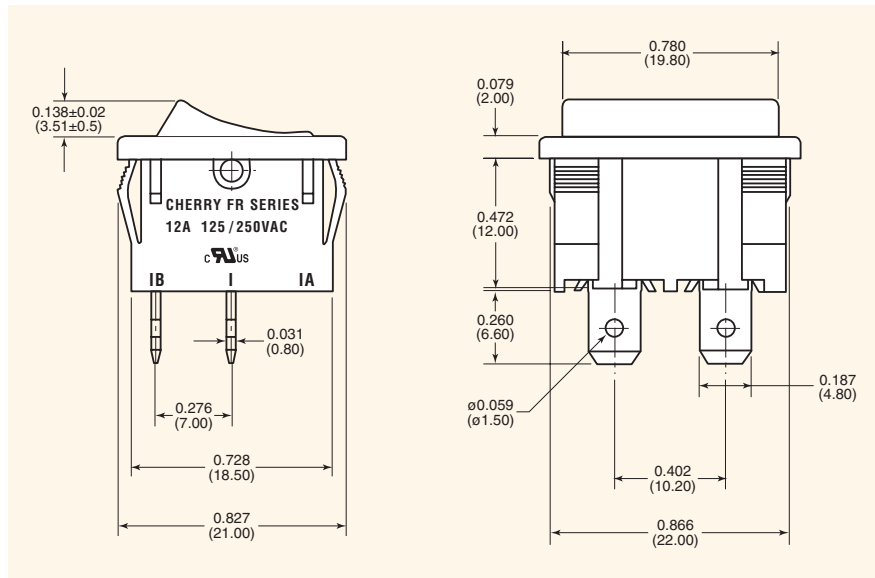
Ratings:	12A, 125/250VAC (UL, cUL) 16A, (4) 250V~, T125/55 (VDE)
Dielectric Strength:	1000VAC for 1 minute
Insulation Resistance:	10 <sup>8</sup> ohms min at 500VDC
Initial Contact Resistance:	0.030 ohms max
Temperature Range:	-20°C to +125°C (VDE) -20°C to +55°C (UL)

#### Materials

Actuator:	Nylon 66 94V-2
Base:	Nylon 66 94V-2
Spring:	Steel Wire
Contacts:	Silver Alloy
Movable Arm:	Silver-Plated Copper Alloy
Terminals:	Tin-Plated Copper Alloy



### Dimensions inches (mm)



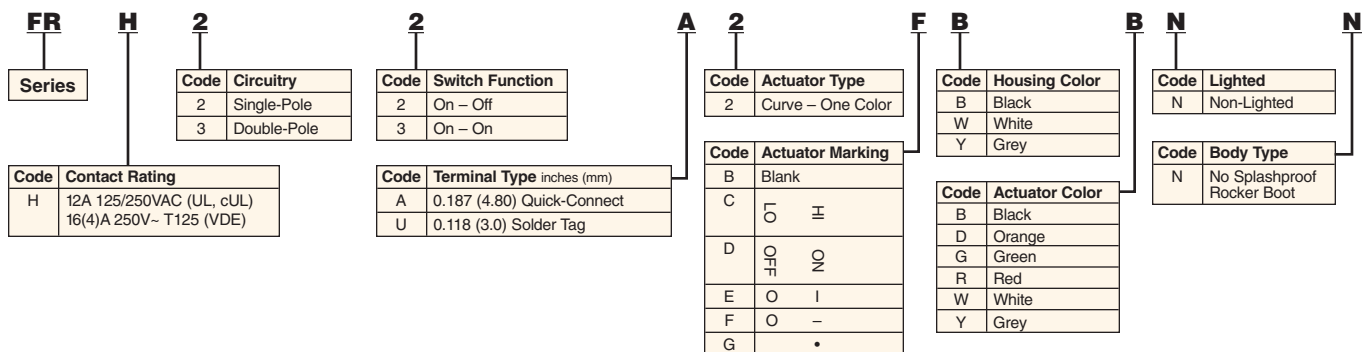
Z = Panel Thickness

### Recommended Panel Cut-Out Dimensions



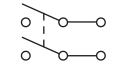

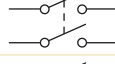

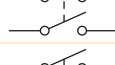

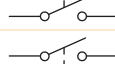

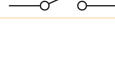
inches (mm) ±0.002 (0.005)

Dim. Z	Dim. X	Dim. Y
0.030 to 0.049 (0.76 to 1.25)	0.752 (19.15)	0.862 (21.90)
0.049 to 0.079 (1.24 to 2.00)	0.760 (19.35)	0.862 (21.90)
0.079 to 0.118 (2.01 to 3.00)	0.775 (19.75)	0.862 (21.90)

### Ordering Information



### Examples of Common Part Numbers and Descriptions inches (mm)

Part Number	Circuitry	Switch Function	Terminal Type	Actuator/Housing Color	Legend Marking
FRH32A2DBBNN		On - Off	0.187 (4.80) Quick-Connect	Black/Black	
FRH33A2BBBNN		On - On	0.187 (4.80) Quick-Connect	Black/Black	
FRH32A2BBBNN		On - Off	0.187 (4.80) Quick-Connect	Black/Black	
FRH32A2FWWNN		On - Off	0.187 (4.80) Quick-Connect	White/White	
FRH32A2BBWNN		On - Off	0.187 (4.80) Quick-Connect	White/Black	
FRH32A2FBBNN		On - Off	0.187 (4.80) Quick-Connect	Black/Black	